

CO 1002

CO 1001

## The Instrument Cabinets



Lots of space  
and maximum  
functionality

otopront®

# CO 1002

This cabinet excels through its generous spaciousness and functionality. The solid steel casing guarantees easy movement of all parts for decades. In addition, the variety of options and the choice between two different set-ups (Type A / Type D) allow you to fit it for your individual working needs.



While the CO 1002 A contains two storage drawers and an enlarged writing surface (doubles as dressing plate), the CO 1002 D offers large space for additional appliances, for example stroboscope.

No matter which model you choose, in both versions the drawers slide far out (easy access) on telescopic steel guides (long lifetime).



Type A



Type D

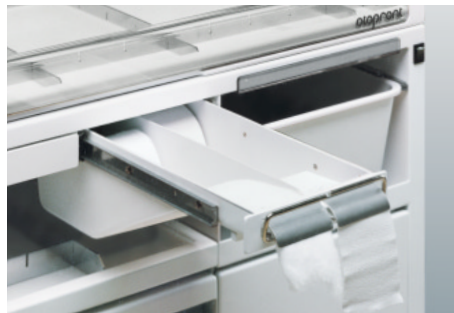
# CO 1001

Designs and functions of the CO 1001 are identical with the instrument cabinet 1002. In spite of the more compact built, all options can be installed. Where the CO 1002 A uses a large writing surface, the 1002 B and 1001 are using a small dressing plate. Drawer dimensions of these two versions are identical.

# Functionally Details



All instruments are in plain view and organized. The pre-warmed instrument area represents a comfortable extra, especially during winter months. In one easy step the whole instrument area can be closed dust free, whereas medication bottles can remain within depression. Interior lightning for instrument surface and instrument drawer is available as further option.



Because they are most frequently used, instrument discard tray and waste compartment are optimally positioned. Instrument discard tray also can be exchanged from back, without disturbing an examination. Waste is collected in hygienic, commonly used plastic bags that fit tightly into the stainless steel compartment of the waste container. A foot pedal with click stop allows easy operation of the shock absorbed waste container.



With one simple manipulation, the instrument tray can be taken out and cleaned. Even during consulting hours a refill of instruments through exchange of inserts is quickly made. The instrument tray is equipped with stainless steel organizers for instrument compartments.

Takes up no room – the cotton and paper dispenser drawer. Take out is as simple as refill. Paper tears off effortlessly, clamping mechanism.



The sturdy but easy to handle rinsing bowl has an extremely wide swivel radius. The bowl is made of opal glass, is adjustable high, locks and further equipped with a circular rinsing. Integrated in the bowl is a water jet pump that allows a suction vacuum of -0.95 bar (a water pressure of min 2.5 bar is necessary) and so with a strong suction through the additional suction tube.



Thanks to 5 independent pivot joints, the halogen light can be positioned effortlessly for head mirror examinations. It is equipped with a light intensity adjustment, heat protective coat and a footswitch for on/off function.

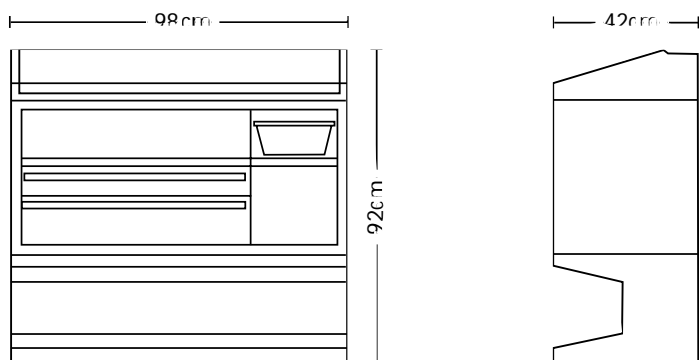
## Additional options

Attachment / console for microscopes: solid and vibration free construction, will not interfere with handling of the halogen light.

## Swivel support

for additional equipment like ultrasound unit, camera, monitor ... (35 x 25 cm)

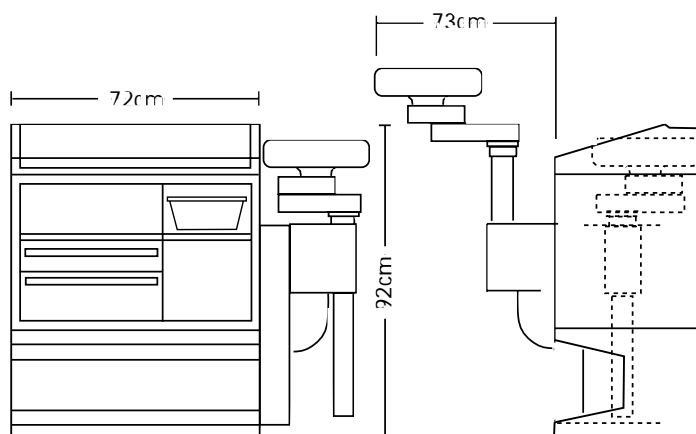
# CO 1002



## Technical Data

<b>Construction</b>	2.5 mm steel casing with PUR top
<b>Overall Dimensions</b>	A and D: 980 x 420 x 920 mm (LxWxH)
<b>Weight</b>	118 kg
<b>Power supply</b>	110–230 V, 50/60 Hz
<b>Water supply</b>	3/8" only if rinsing bowl is ordered
<b>Water drain</b>	3/4" only if rinsing bowl is ordered
<b>Instrument surface</b>	930 x 380 mm
<b>CE mark</b>	accord. to MDD 93/42/EEC

# CO 1001



<b>Construction</b>	2.5 mm steel casing with PUR top
<b>Overall Dimensions</b>	720 x 420 x 920 mm (LxWxH)
<b>Weight</b>	72 kg
<b>Power supply</b>	110–230 V, 50/60 Hz
<b>Water supply</b>	3/8" only if rinsing bowl is ordered
<b>Water drain</b>	3/4" only if rinsing bowl is ordered
<b>Instrument surface</b>	670 x 380 mm
<b>CE mark</b>	accord. to MDD 93/42/EEC

All designs and specifications subject to change without notice.

Represented by:

## Happersberger otopront

Medical Equipment Manufacturer  
D-65329 Hohenstein · P.O. Box · Germany  
Tel. +49-6120-9217-0 · Fax +49-6120-921760  
www.otopront.com · info@otopront.com

**otopront**®